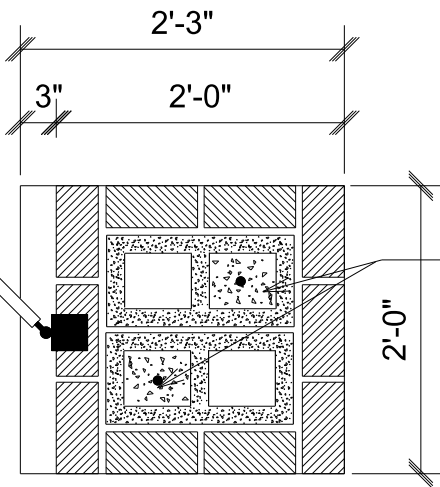


IN - SWING GATE (TYP)

POURED CELL AND #5 REBAR.  
FOR DRY - STACKED BLOCK POUR  
ALL CELLS.



OUT - SWING GATE (TYP)

POURED CELL AND #5 REBAR.  
FOR DRY - STACKED BLOCK POUR  
ALL CELLS.

NOTE: THESE DRAWINGS ARE FOR REFERENCE ONLY, PLEASE CHECK LOCAL BUILDING CODES. CODE COMPLIANCE AND PROPER ENGINEERING ARE THE RESPONSIBILITY OF THE HOMEOWNER, OR INSTALLING CONTRACTOR. BERLIN ARCHITECTURAL DRAFTING INC. ACCEPTS NO LIABILITY OR RESPONSIBILITY FOR IMPROPERLY INSTALLATION OR CONSTRUCTION.

**BERLIN ARCHITECTURAL DRAFTING  
INCORPORATED**

15619 PREMIERE DR. SUITE 103 TAMPA, FL. 33624  
sales@berlindrafting.net (813) 968-8038

**GATECRAFTERS.COM**  
13100 STATE RD. 54  
ODESSA, FL 33556

www.gatecrafters.com  
sales@gatecrafters.com  
1-800-537-GATE